

General Description

The SDC7500 is a voltage mode pulse width modulation switching regulator control circuit designed primarily for power supply control.

The SDC7500 consists of a reference voltage circuit, two error amplifiers, an on-chip adjustable oscillator, a dead-time control (DTC) comparator, a pulse-steering control flip-flop, and an output control circuit. The precision of voltage reference (V_{REF}) is $\pm 1\%$ through trimming and this provides a better output voltage regulation. The SDC7500 provides for push-pull or single-ended output operation, which can be selected through the output control.

Features

- Complete PWM power control circuitry
- Uncommitted outputs for 200mA sink or source current
- Output control for single ended or push pull operation
- Internal regulator provides a stable 5V reference supply with 5% tolerance
- Adjustable dead-time control
- Package: DIP-16

Applications

- PC power supply
- DC-DC convertor

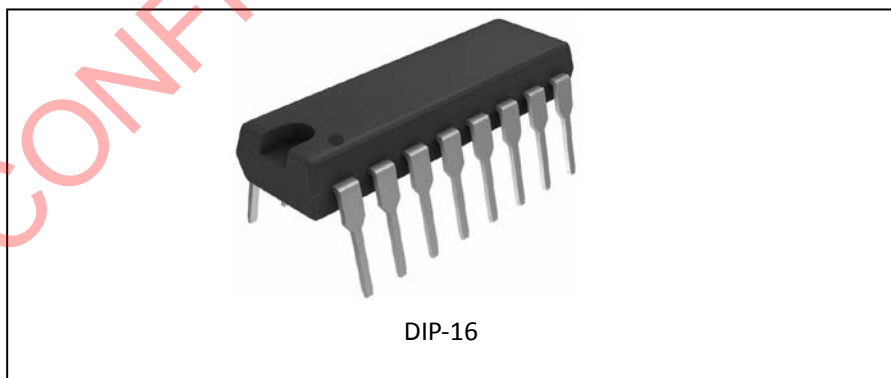


Figure 1. Package Type

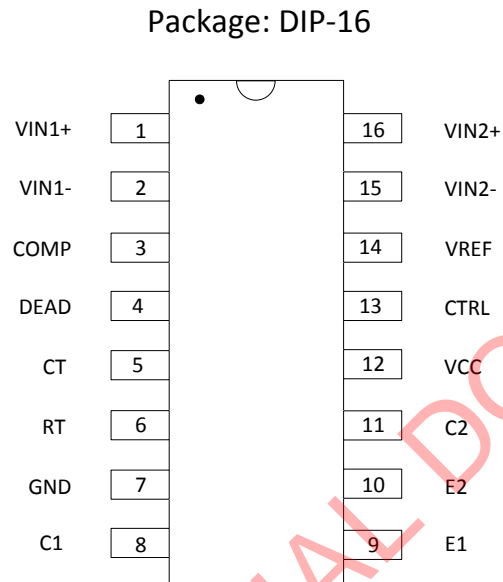
Pin Configuration


Figure 2. Pin Configuration

Pin Number	Pin Name	Function
1	VIN1+	Amplifier positive input
2	VIN1-	Amplifier negative input
3	COMP	Compensation pin
4	DEAD	Dead time control
5	CT	Oscillate capacitor pin, external timing capacitor
6	RT	Oscillate resistor pin, external timing resistor
7	GND	Ground
8	C1	Output transistor collector
9	E1	Output transistor emitter
10	E2	Output transistor emitter
11	C2	Output transistor collector
12	VCC	Power supply pin
13	CTRL	Output control pin
14	VREF	Reference pin
15	VIN1-	Amplifier negative input
16	VIN2+	Amplifier positive input

Table 1. Pin Configuration

Functional Block Diagram

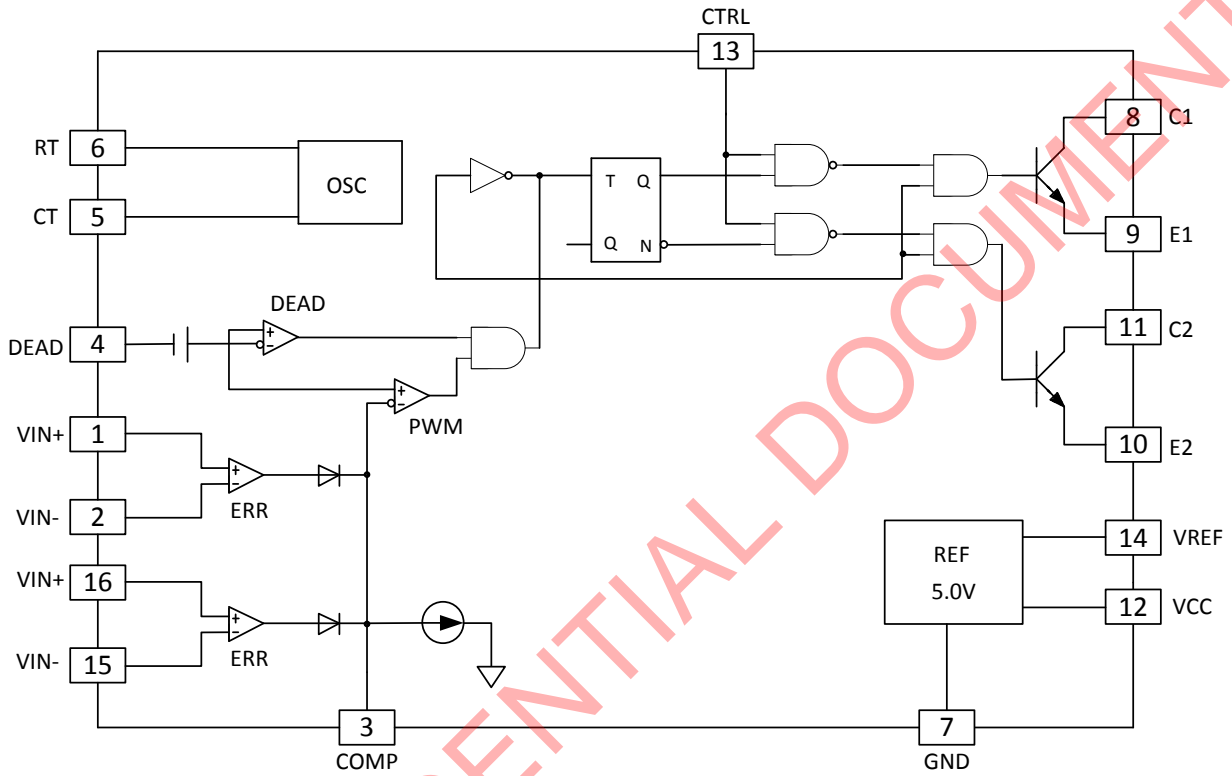
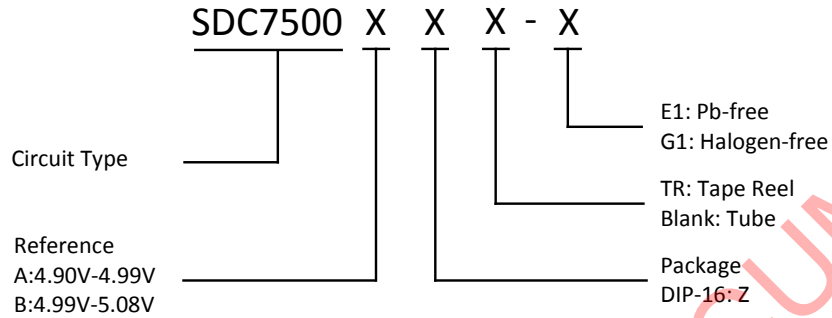


Figure 3. Functional Block Diagram

Ordering Information


Package	Temperature	Part Number		Marking ID		Packing Type
		Pb-free	Halogen-free	Pb-free	Halogen-free	
DIP-16	-40°C~85°C	SDC7500AZ -E1	SDC7500AZ -G1	SDC7500	SDC7500G	Tube
		SDC7500BZ -E1	SDC7500BZ -G1	SDC7500	SDC7500G	Tube

SDC CONFIDENTIAL DOCUMENT

Absolute Maximum Ratings (NOTE: Stresses greater than those listed under Absolute Maximum Ratings may cause permanent damage to the device.)

Parameter	Symbol	Value	Unit
Power supply voltage VCC	V _{CC}	42	V
Amplifier input voltage	V _{IN}	0.3	V
Collector output voltage	V _{OUT}	42	V
Collector output current	I _{CO}	200	mA
Total dissipation power	P _D	1000	mW
Operating Junction Temperature	T _J	-40~150	°C
Storage temperature	T _{STG}	-65~150	°C
Latch-up test per JEDEC 78	-	200	mA
ESD, HBM model per Mil-Std-883, Method 3015	HBM	2000	V
ESD, MM model per JEDEC EIA/JESD22-A115	MM	200	V

Table 2. Absolute Maximum Ratings

Recommended Operating Conditions

Parameter	Symbol	Min	Max	Unit
Power supply voltage VCC	V _{CC}	10	36	V
Frequency	f _{osc}	1.0	200	kHz
Operating temperature	T _{OPR}	-40	85	°C

Table 3. Recommended Operating Conditions

Electrical Characteristics (Ta=25°C, VCC=15.0V, unless otherwise specified.)

Parameter	Symbol	Conditions	Min	Typ	Max	Unit
Reference Section						
Output voltage(SDC7500A)	V _{REF}	I _{REF} =1mA	4.90	-	4.99	V
Output voltage(SDC7500B)			4.99	-	5.08	V
Input regulation	V _{Delta_VV}	V _{CC} =7V~40V	-	2	25	mV
Output regulation	V _{Delta_VL}	I _{REF} =1mA~10mA	-	1	15	mV
Short-circuit output current	I _{SC}	V _{REF} =0V, Ta=25°C	-	55	-	mA
Output voltage change with temperature	Delta_VT	Ta=-25°C~85°C	-	0.2	1	%
PWM Section						
Input threshold voltage	V _{TH}	DUTY=0	-	4	4.5	V
Input sink current	I _{SINK}	V _{COMP} =0.7V	0.3	0.7	-	mA
Oscillator Section						
Frequency	f _{OSC}	CT=1nf, RT=12kΩ	23	29	34	kHz
Standard deviation of frequency	Delta	ALL Value of CT RT Ta constant	-	10	-	%
Frequency change with temperature	Delta_FT	Ta=-25°C~85°C	-	-	12	%
Frequency change with voltage	Delta_FV	V _{CC} =7V~40V	-	0.1	-	%
Amplifier Section						
Input offset voltage	V _{OFFSET}	V _{O(PIN3)} =2.5V	-	2	10	mV
Input offset current	I _{OFFSET}	V _{O(PIN3)} =2.5V	-	25	250	nA
Input bias current	I _{BIAS}	V _{O(PIN3)} =2.5V	-	0.2	1	uA
Output sink current	I _{SINK}	V _{COMP} =0.5V	0.3	0.7	-	mA
Output source current	I _{SOURCE}	V _{COMP} =3.5V	-2	-	-	mA
Common-mode input voltage range	V _{IN}	V _{CC} =7V~40V	-0.3~V _{CC}			V
Open-loop voltage amplification	G _V	V _O =0.5V~3.5V	70	95	-	dB
Unity-gain bandwidth	f _{BAND}	-	-	800	-	kHz
Common-mode rejection ratio	R _{REJ}	V _{CC} =40V	65	80	-	dB
Dead Time Control Section						
Input bias	I _{BIAS}	V _I =0V~5.25V	-	-2	-10	uA
Maximum duty cycle	G _V	V _{I(PIN4)} =0	45	-	-	%
Input threshold voltage	V _{TH}	DUTY=0	-	2.7	3.3	V
Input threshold voltage	V _{TH}	DUTY=MAX	0	-	-	V

Parameter	Symbol	Conditions	Min	Typ	Max	Unit	
Power Current Section							
Standby supply current	I_{CC1}	$V_{CC}=15V$	-	6	10	mA	
Standby supply current	I_{CC}	$V_{CC}=40V$	-	9	15	mA	
Average supply current	I_{AV}	$V_{PIN4}=2V$	-	7.5	-	mA	
Output Section							
Collector off-state current	I_C	$V_{CE}=40V$ $V_{CC}=40V$	-	2	100	uA	
Emitter off-state current	I_E	$V_{CC}=V_C=40V$ $V_E=0$	-	-	-100	uA	
Collector-emitter saturation voltage	Common-emitter	V_{SAT}	$V_E=0, I_C=100mA$	-	1.0	1.3	V
	Emitter-follower	V_{SAT}	$V_C=15V, I_E=-100mA$	-	1.5	2.5	V
Output control input current	I_{IN}	$V_I=V_{REF}$	-	-	3.5	mA	
Switching Characteristics							
Output voltage rise time	t_r	Common-emitter configuration	-	100	200	ns	
Output voltage fall time	t_f		-	25	100	ns	
Output voltage rise time	t_r	Emitter-follower configuration	-	100	200	ns	
Output voltage fall time	t_f		-	40	100	ns	

Table 4. Electrical Characteristics

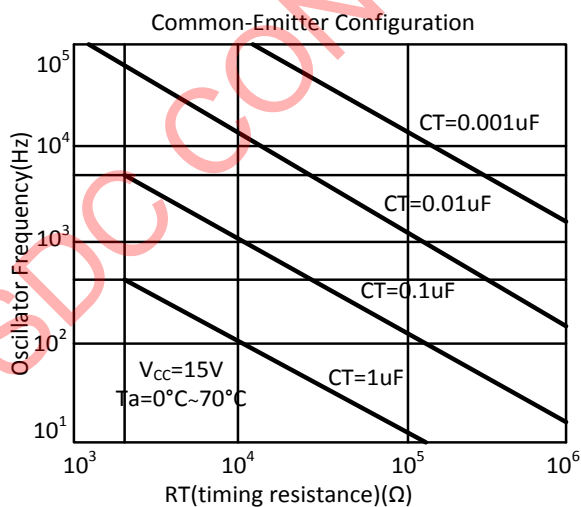
Typical Performance Characteristics


Figure 4. Oscillator frequency and frequency variation vs. Timing resistance

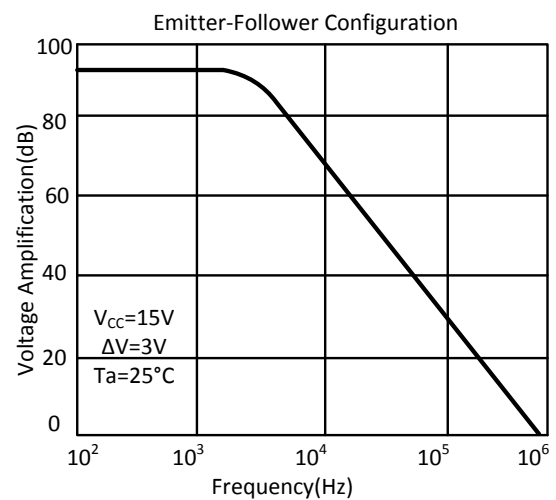


Figure 5. Amplifier voltage amplification

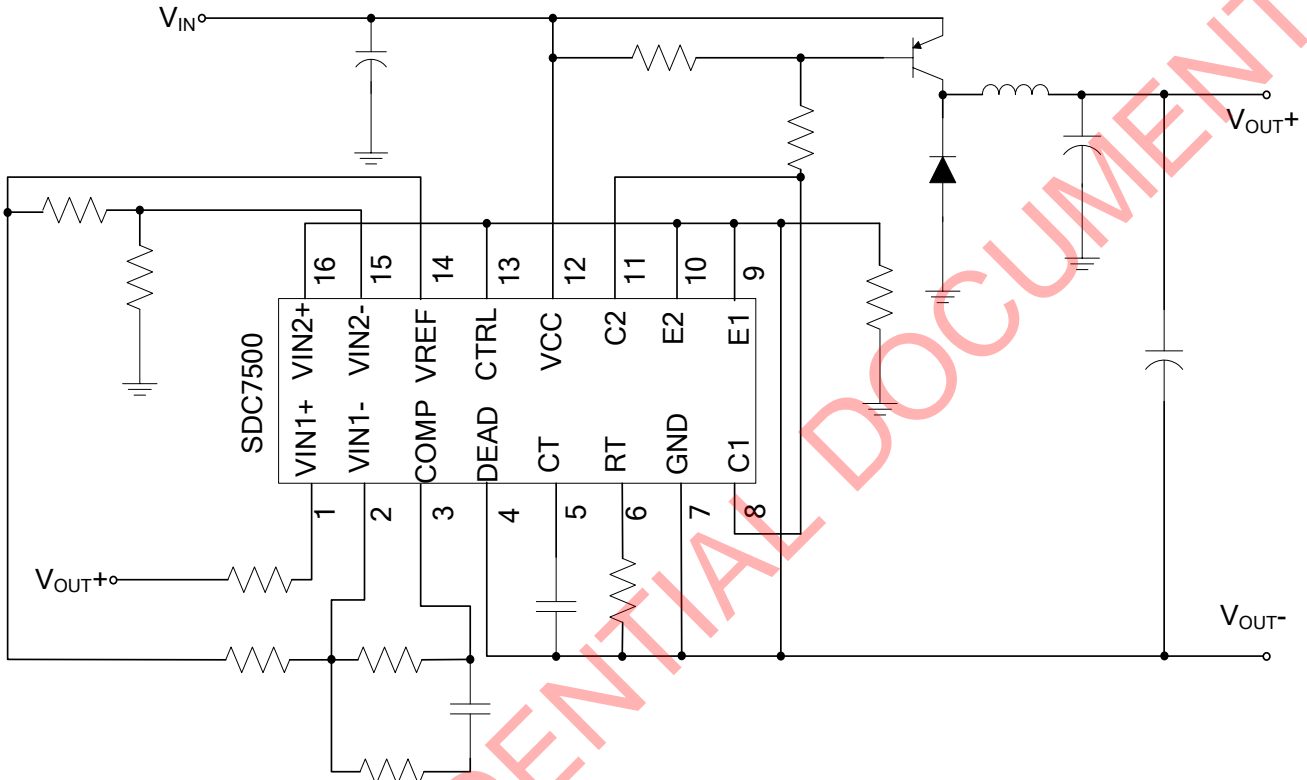
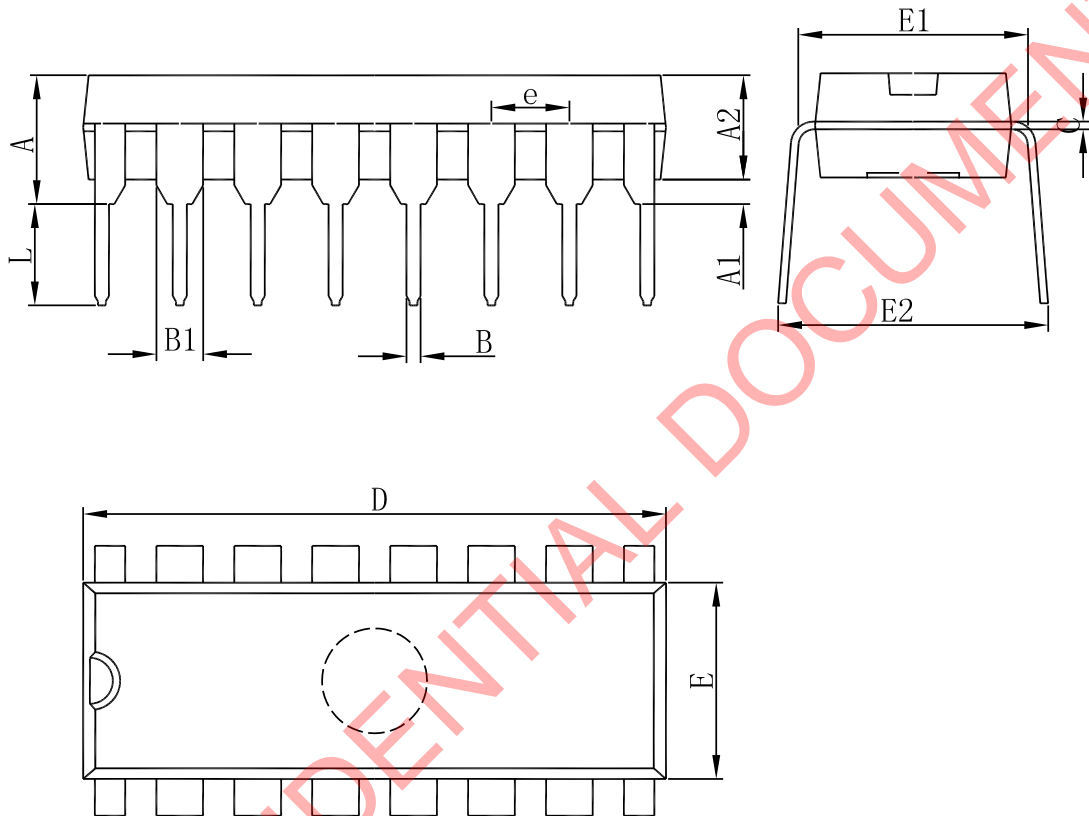
Typical Application


Figure 6. Typical Application

Package Dimension
DIP-16


Symbol	Dimensions In Millimeters		Dimensions In Inches	
	Min	Max	Min	Max
A	3.710	4.310	0.146	0.170
A1	0.510	-	0.020	-
A2	3.200	3.600	0.126	0.142
B	0.380	0.570	0.015	0.022
B1	1.524(BSC)		0.060(BSC)	
C	0.204	0.360	0.008	0.014
D	18.800	19.200	0.740	0.756
E	6.200	6.600	0.244	0.260
E1	7.320	7.920	0.288	0.312
e	2.540(BSC)		0.100(BSC)	
L	3.000	3.600	0.118	0.142
E2	8.400	9.000	0.331	0.354



Shaoxing Devechip Microelectronics Co., Ltd.

<http://www.sdc-semi.com/>

IMPORTANT NOTICE

Information in this document is provided solely in connection with Shaoxing Devechip Microelectronics Co., Ltd. (abbr. SDC) products. SDC reserves the right to make changes, corrections, modifications or improvements, to this document, and the products and services described herein at anytime, without notice. SDC does not assume any responsibility for use of any its products for any particular purpose, nor does SDC assume any liability arising out of the application or use of any its products or circuits. SDC does not convey any license under its patent rights or other rights nor the rights of others.

© 2013 Devechip Microelectronics - All rights reserved

Contact us:

Headquarters of Shaoxing

Address: Tian Mu Road, No13,

Shaoxing city, Zhejiang province, China

Zip code: 312000

Tel: (86) 0575-8861 6750

Fax: (86) 0575-8862 2882

Shenzhen Branch

Address: 22A, Shangbu building, Nan Yuan Road, No.68,

Futian District, Shenzhen city, Guangdong province, China

Zip code: 518031

Tel: (86) 0755-8366 1155

Fax: (86) 0755-8301 8528